



code 30.97310.00 **Project code** P8881 **Stack** M42 **Poles** 4

Voltage [V] 220 - 230 **Frequency [Hz]** 50 - 60 **μ F** 5 **Vc** 450

W 213 **A** 0.93 **Rpm** 1320 **class** F

Fanmotor

Fan 180 x 92 **Speed** 1 **Scroll** no dati

Flow rate [m3/H] **Pressure [Pa]** **Rpm** **WI [w]** **il [A]**

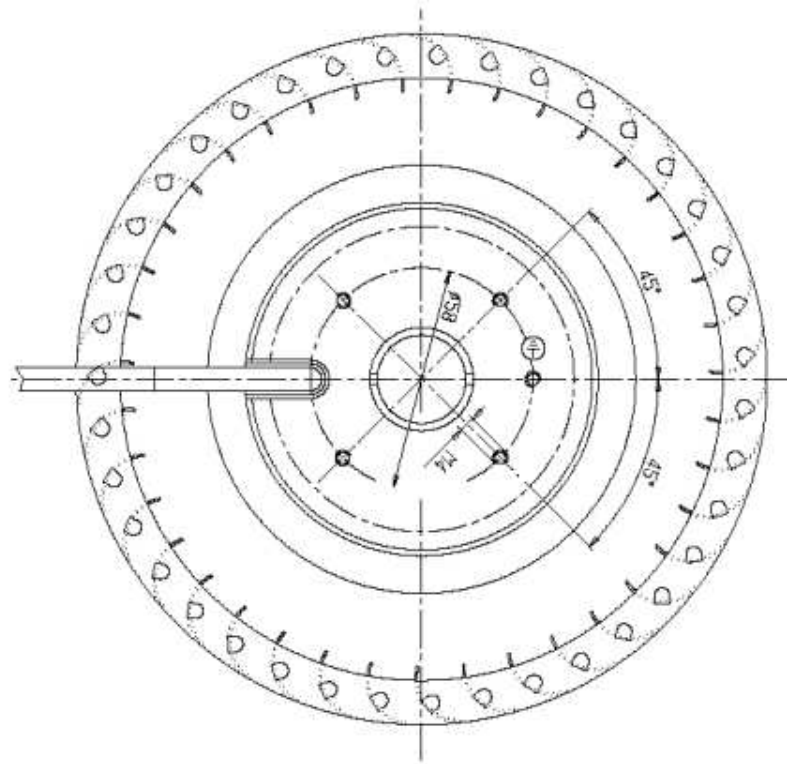
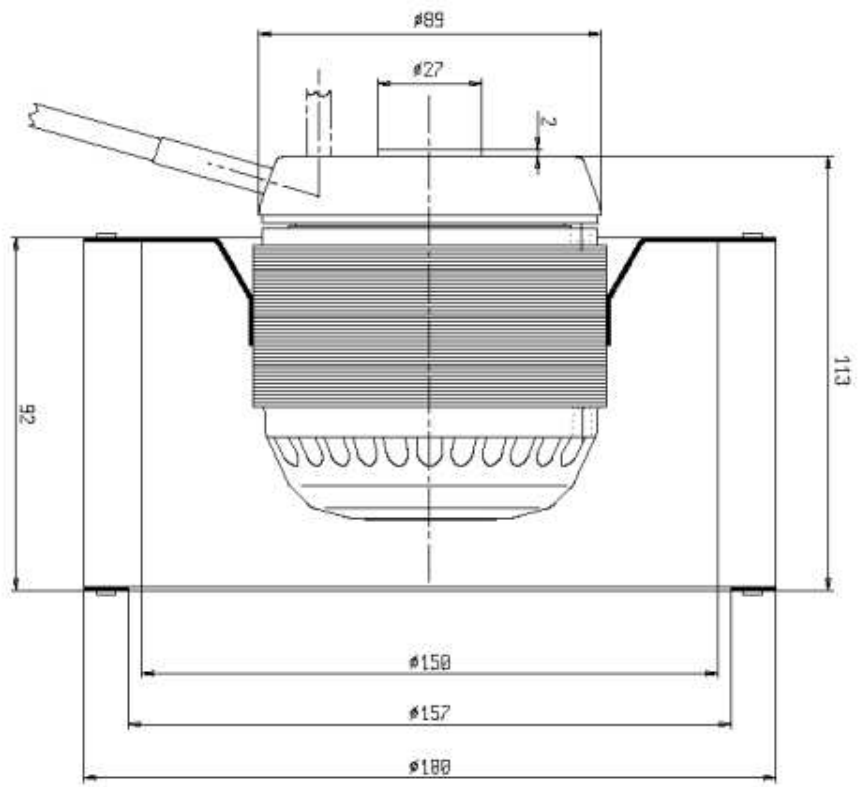
V 220

Hz 50

V **Hz** **μ F** **Tested equipment** **Δ Tm** **Δ Ta** **Rpm**

Locked Rotor test

V	Hz	μ F	W	A
220	50			





code 30.97310.00

Project code P8881

Stack M42

Poles 4

Voltage [V] 220 - 230

Frequency [Hz] 50 - 60

μ F 5

Vc 450

W 213

A 0.93

Rpm 1320

class F

Fanmotor

Fan 180 x 92

Speed 1

Scroll no dati

Flow rate [m3/H] Pressure [Pa] Rpm Wl [w] il [A]

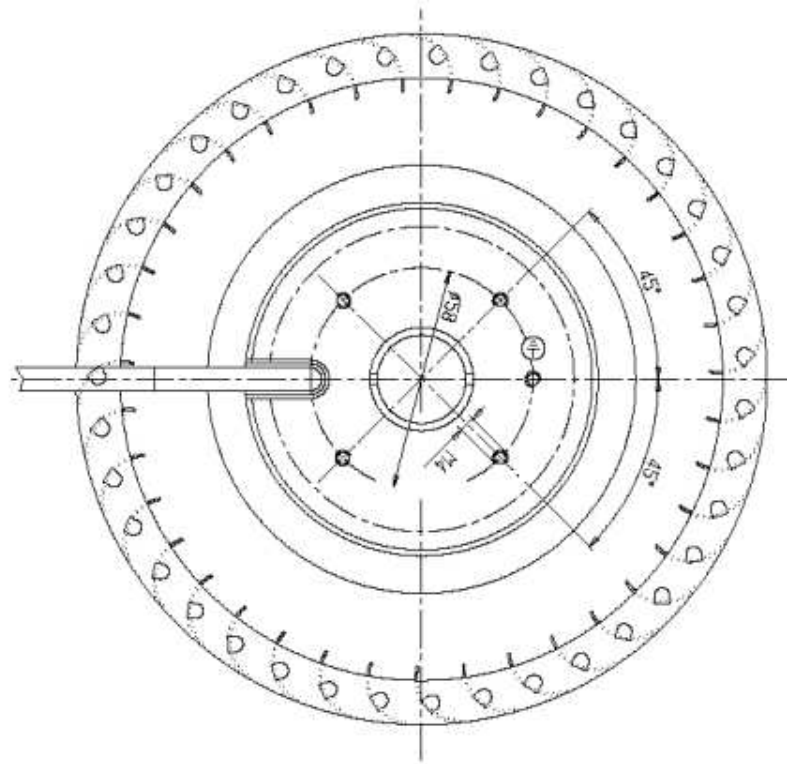
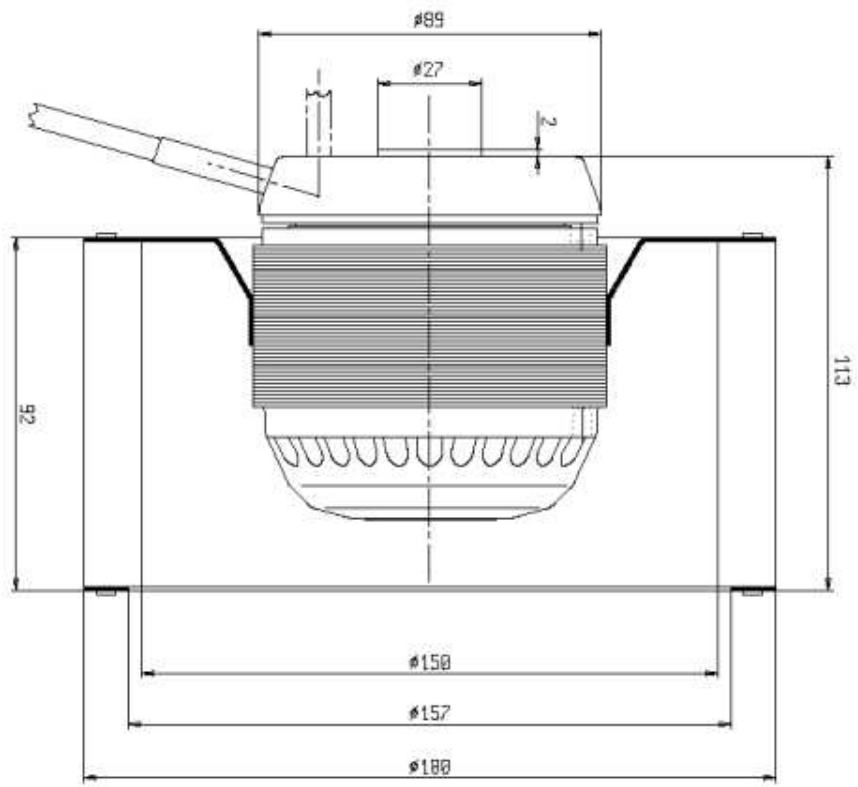
V 220

Hz 60

V Hz μ F Tested equipment Δ Tm Δ Ta Rpm

Locked Rotor test

V	Hz	μ F	W	A
220	60			



code 30.97310.00

Project code P8881

Stack M42

Poles 4

Voltage [V] 220 - 230

Frequency [Hz] 50 - 60

μ F 5

Vc 450

W 213

A 0.93

Rpm 1320

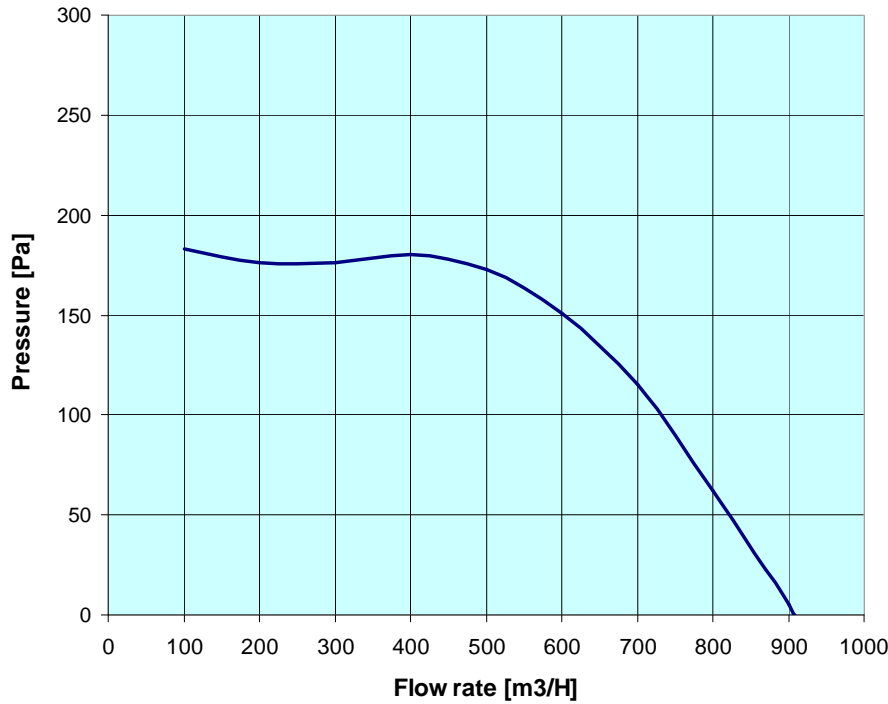
class F

Fanmotor

Fan 180 x 92

Speed 1

Scroll Ruck tipo P0951

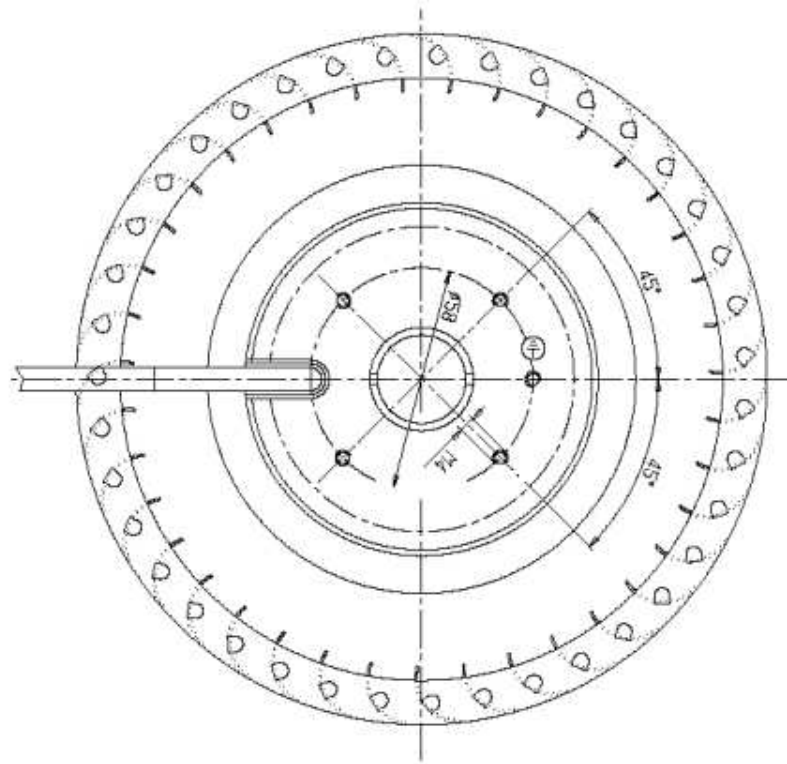
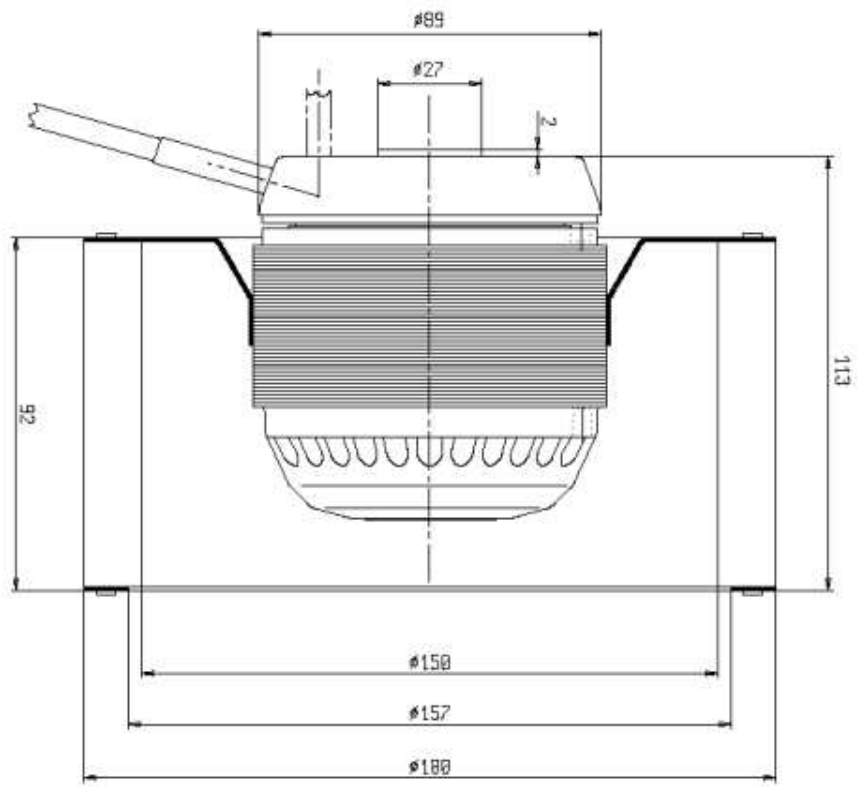


	Flow rate [m3/H]	Pressure [Pa]	Rpm	WI [w]	il [A]	
V	230	100	183	1451	94,27	0,51
Hz	50	400	180	1410	106,9	0,537
		700	115	1340	134,6	0,626
		909	0	1249	163,1	0,733

V	Hz	μ F	Tested equipment	Δ Tm	Δ Ta	Rpm
244	50	5	Scroll f.a.	60,4	56	
244	50	5	Scroll p.c.	89	83	

Locked Rotor test

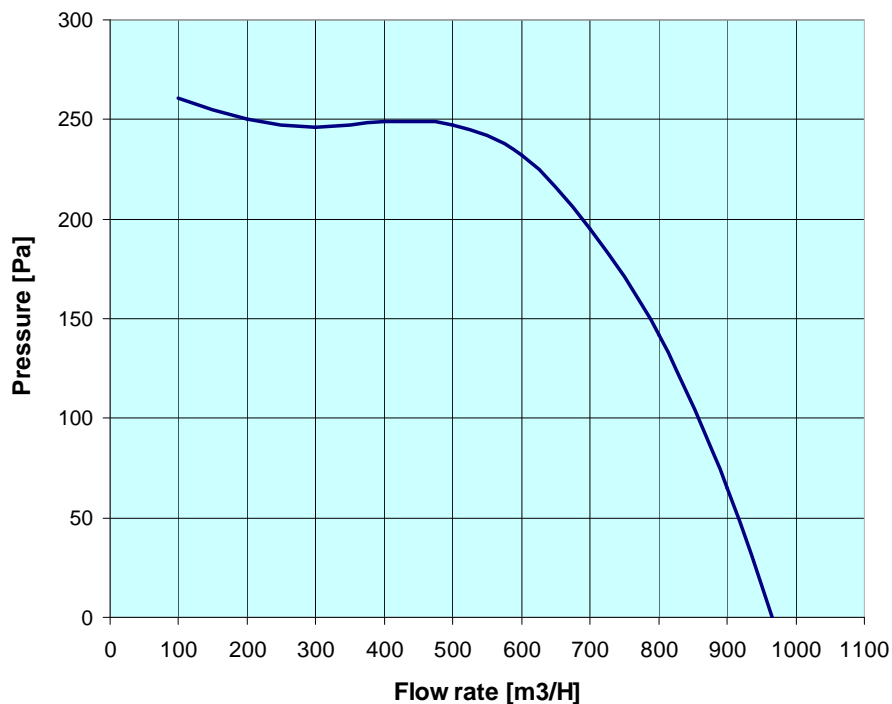
V	Hz	μ F	W	A
230	50	5		



code 30.97310.00 **Project code** P8881 **Stack** M42 **Poles** 4
Voltage [V] 220 - 230 **Frequency [Hz]** 50 - 60 **μ F** 5 **Vc** 450
W 213 **A** 0.93 **Rpm** 1320 **class** F

Fanmotor

Fan 180 x 92 **Speed** 1 **Scroll** Ruck tipo P0951



	Flow rate [m3/H]	Pressure [Pa]	Rpm	WI [w]	il [A]
V 230	100	261	1724	113	0,523
Hz 60	400	249	1668	133,2	0,607
	700	195	1564	168,2	0,744
	966	0	1317	212,6	0,924

V	Hz	μ F	Tested equipment	Δ Tm	Δ Ta	Rpm
244	60	5	Scroll f.a.	58	61	
244	60	5	Scroll p.c.	69	80	

Locked Rotor test

V	Hz	μ F	W	A
230	60	5		

