

code 30.97330.00

Project code P4972

Stack M42

Poles 2

Voltage [V] 230

Frequency [Hz] 50 - 60

μ F 6

Vc 400

W 230

A 1

Rpm 2600

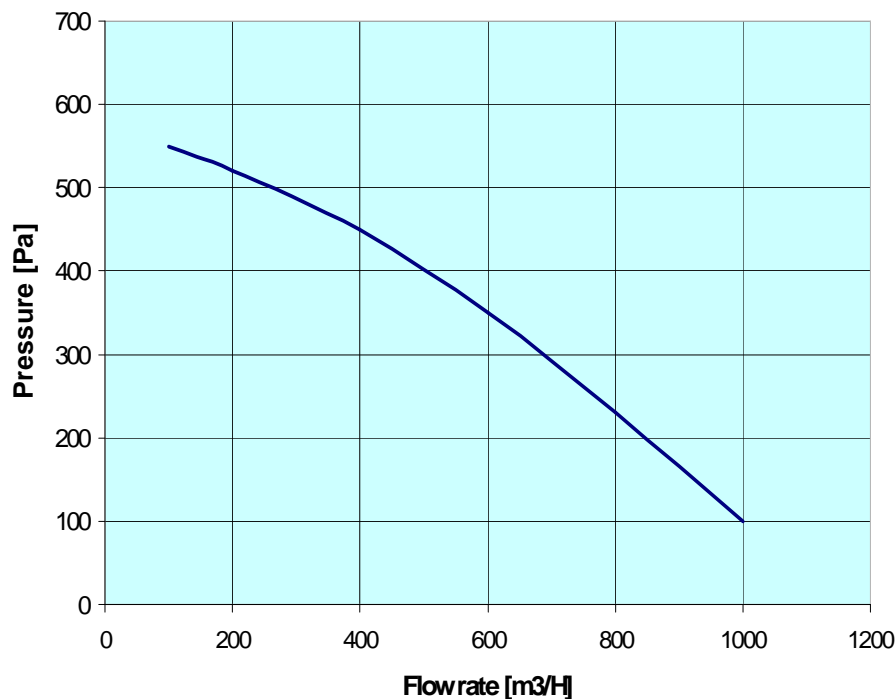
class B

Fanmotor

Fan 250 x 56

Speed 1

Scroll CK315B

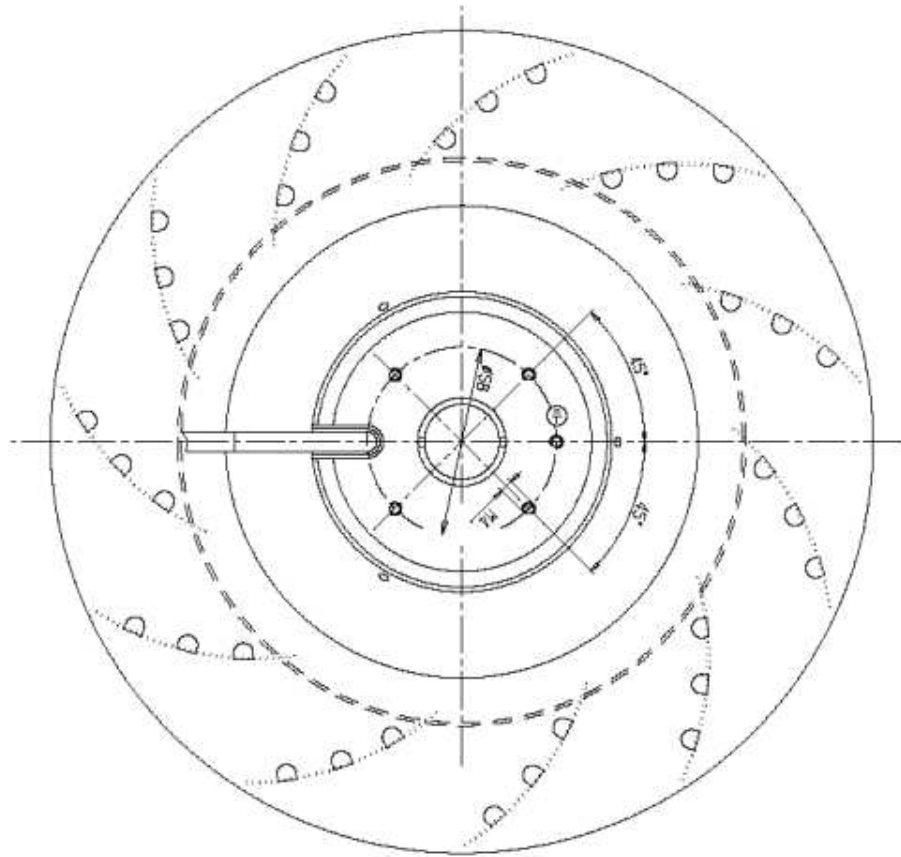
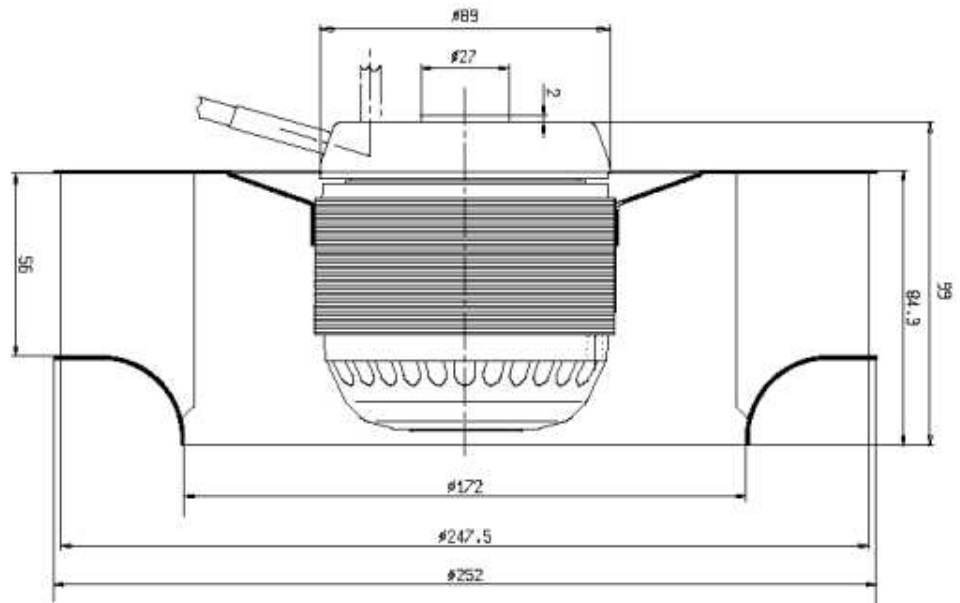


	Flow rate [m3/H]	Pressure [Pa]	Rpm	WI [w]	il [A]	
V	230	100	550	2760	122	0,53
Hz	50	400	450	2620	162	0,7
		600	350	2580	172	0,75
		1000	100	2670	147	0,64

V	Hz	μ F	Tested equipment	Δ Tm	Δ Ta	Rpm
244	50	6	Scroll	46	48	
	50	6				

Locked Rotor test

V	Hz	μ F	W	A
230	50	6		



code 30.97330.00

Project code P4972

Stack M42

Poles 2

Voltage [V] 230

Frequency [Hz] 50 - 60

μ F 6

Vc 400

W 230

A 1

Rpm 2600

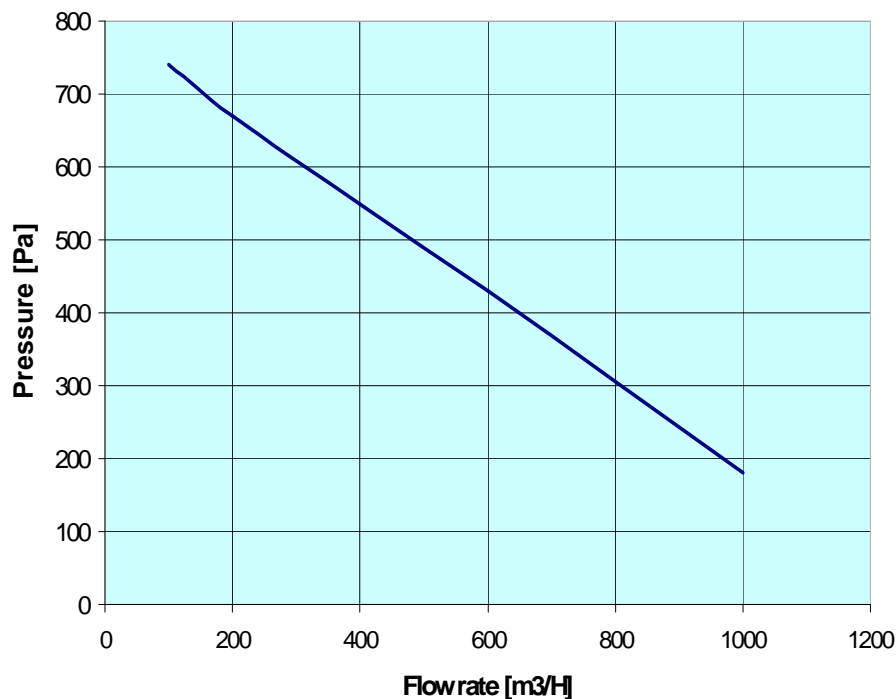
class B

Fanmotor

Fan 250 x 56

Speed 1

Scroll CK315B



	Flow rate [m3/H]	Pressure [Pa]	Rpm	WI [w]	il [A]
V 230	100	740	3180	160	0,72
Hz 60	400	550	2870	220	0,95
	600	430	2770	234	1,02
	1000	180	2915	212	0,92

V	Hz	μ F	Tested equipment	Δ Tm	Δ Ta	Rpm
244	60	6	Scroll	33	41	
	60	6				

Locked Rotor test

V	Hz	μ F	W	A
230	60	6		

