

code 30.97274.01

Project code P8729

Stack M20

Poles 2

Voltage [V] 220 - 240

Frequency [Hz] 50 - 60

$\mu$  F 3

Vc 400

W 100

A 0.45

Rpm 2300

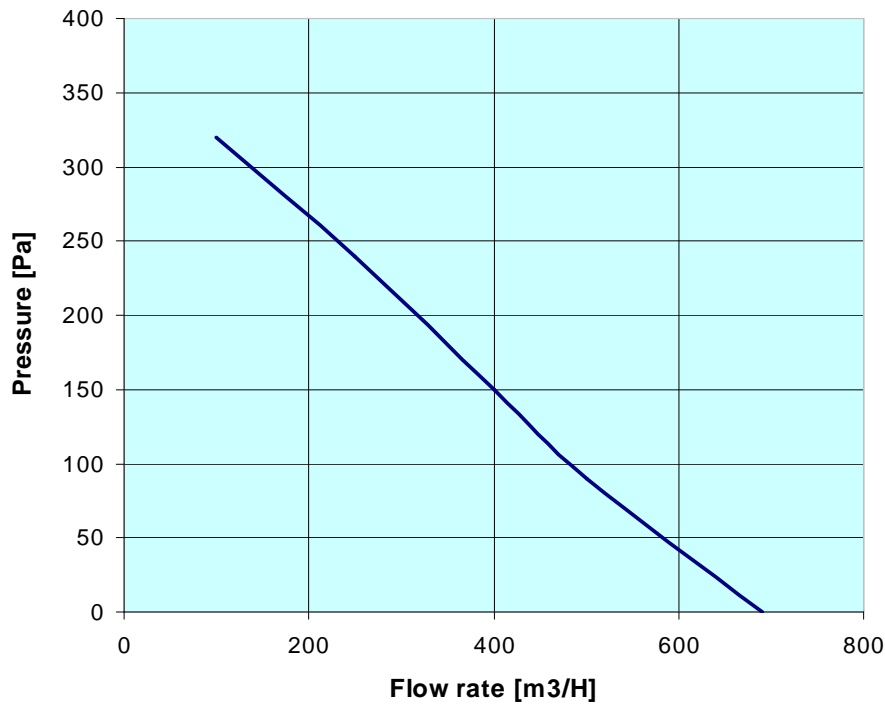
class B

## Fanmotor

Fan 220 x 44

Speed 1

Scroll CK200A

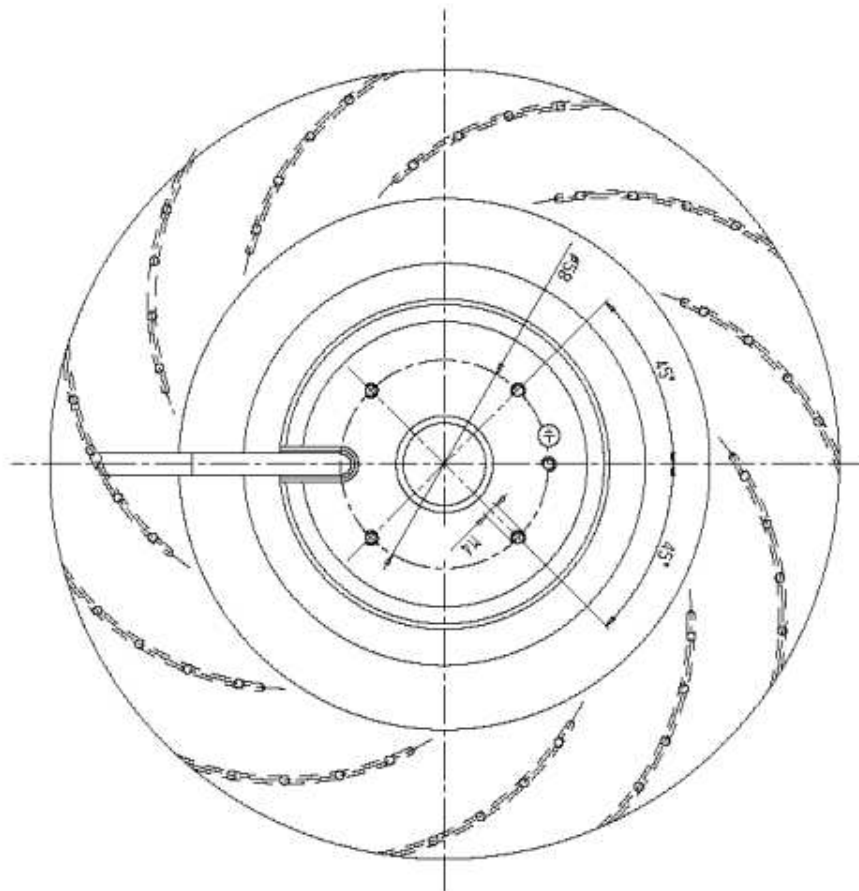
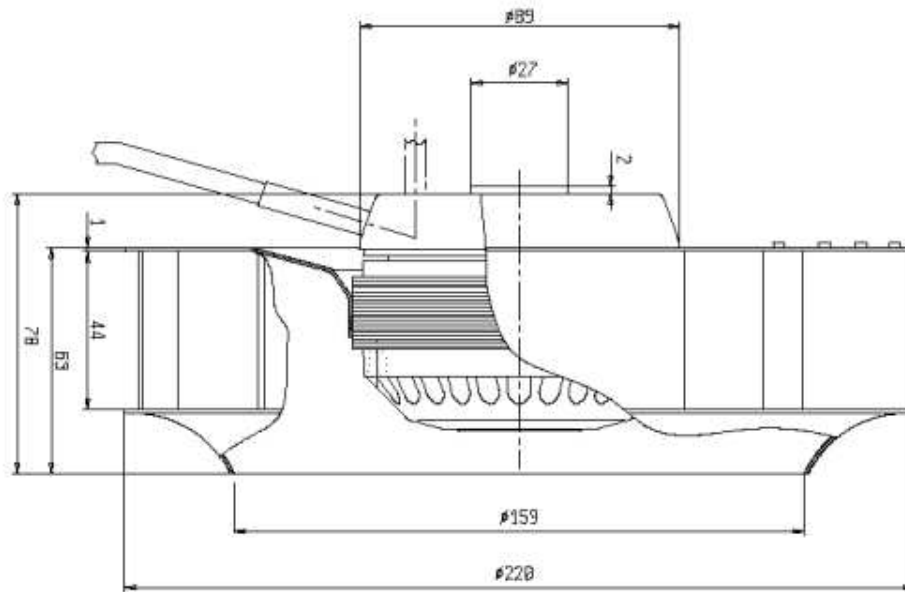


	Flow rate [m3/H]	Pressure [Pa]	Rpm	Wl [w]	il [A]	
V	220	100	320	2690	69	0,32
Hz	50	250	240	2575	75	0,35
		500	90	2580	76	0,355
		690	0	2685	68	0,32

V	Hz	$\mu$ F	Tested equipment	$\Delta$ Tm	$\Delta$ Ta	Rpm
---	----	---------	------------------	-------------	-------------	-----

### Locked Rotor test

V	Hz	$\mu$ F	W	A
220	50			



code 30.97274.01

Project code P8729

Stack M20

Poles 2

Voltage [V] 220 - 240

Frequency [Hz] 50 - 60

$\mu$  F 3

Vc 400

W 100

A 0.45

Rpm 2300

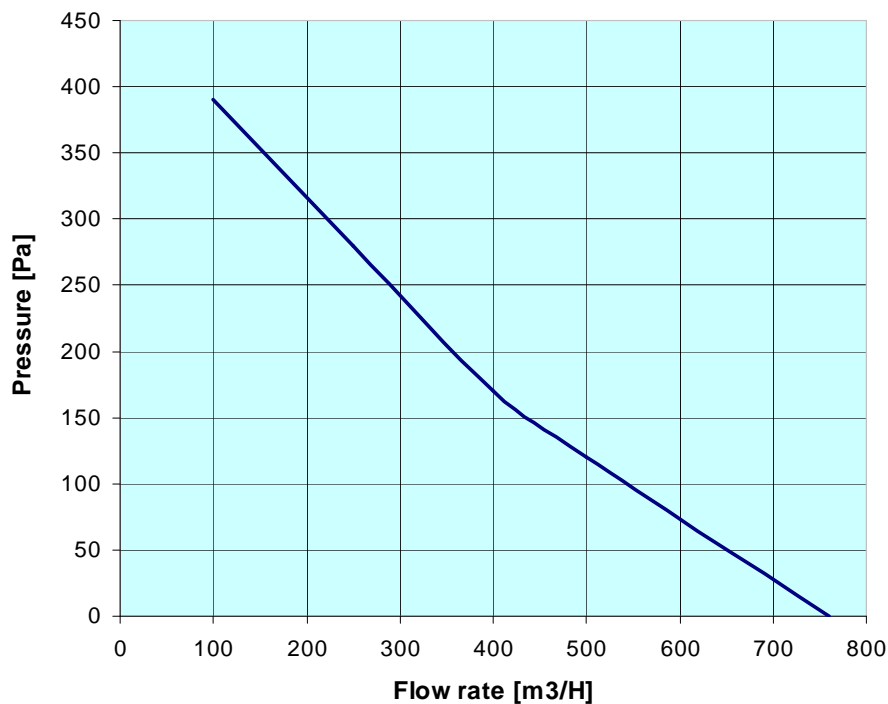
class B

## Fanmotor

Fan 220 x 44

Speed 1

Scroll CK200A

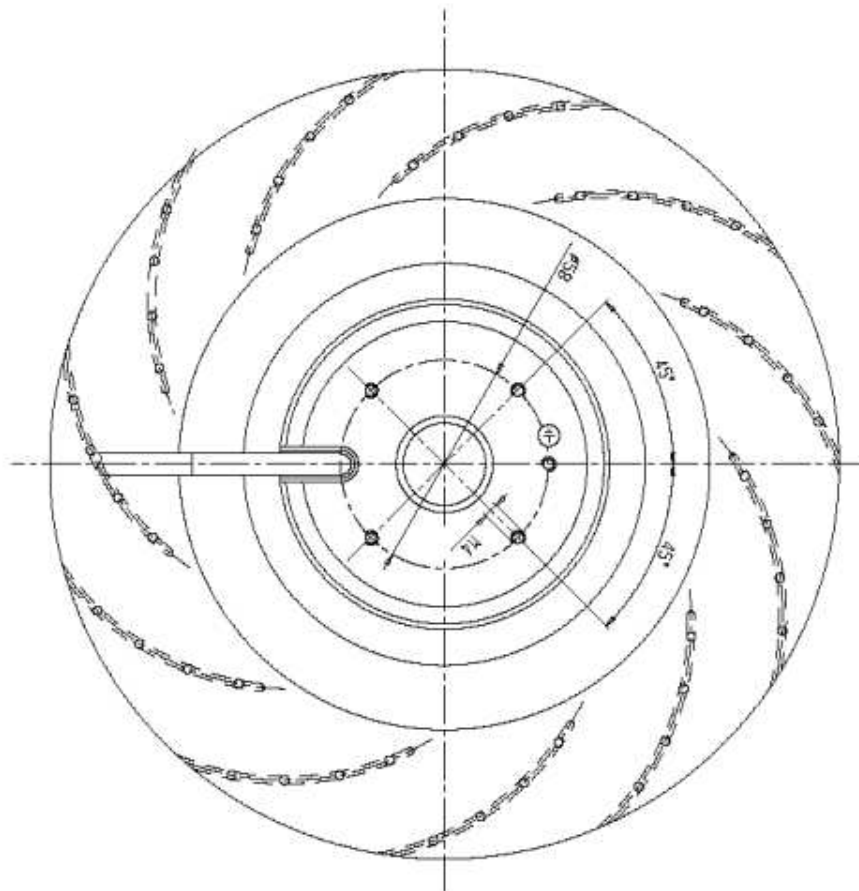
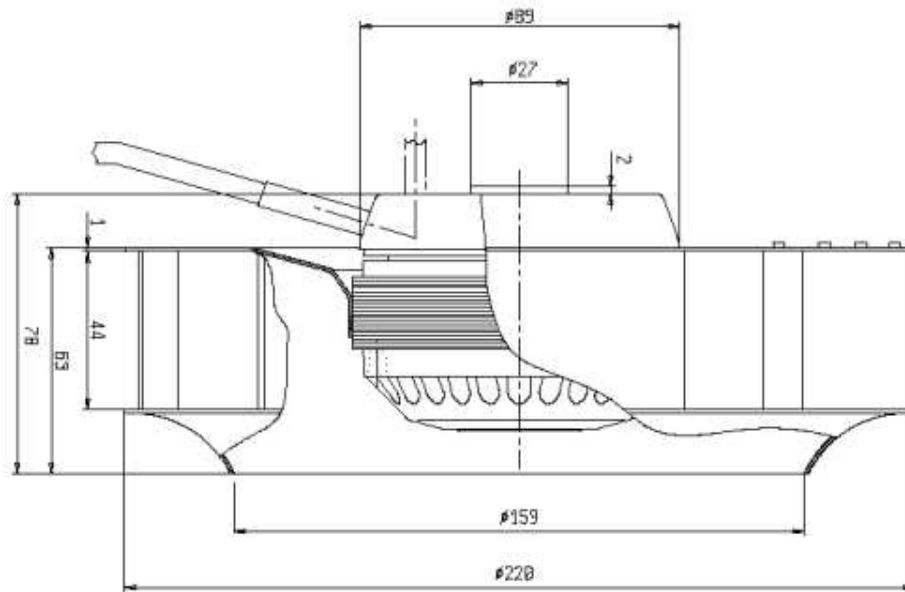


	Flow rate [m3/H]	Pressure [Pa]	Rpm	WI [w]	il [A]	
V	220	100	390	2935	97	0,46
Hz	60	250	280	2780	103	0,485
		500	120	2700	104	0,49
		760	0	2925	97	0,46

V	Hz	$\mu$ F	Tested equipment	$\Delta$ Tm	$\Delta$ Ta	Rpm
---	----	---------	------------------	-------------	-------------	-----

### Locked Rotor test

V	Hz	$\mu$ F	W	A
220	60			



code 30.97274.01

Project code P8729

Stack M20

Poles 2

Voltage [V] 220 - 240

Frequency [Hz] 50 - 60

$\mu$  F 3

Vc 400

W 100

A 0.45

Rpm 2300

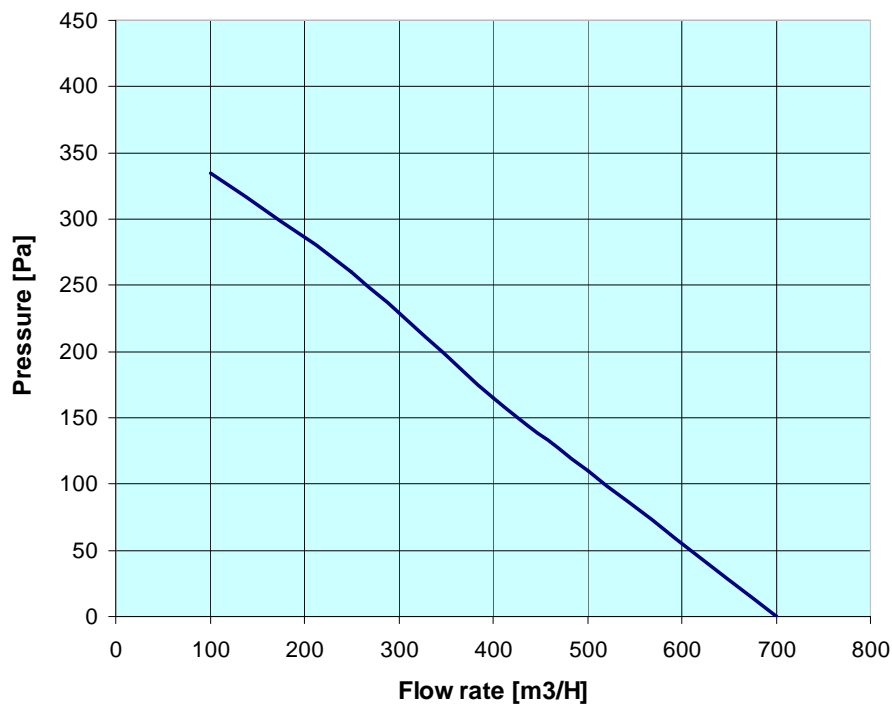
class B

## Fanmotor

Fan 220 x 44

Speed 1

Scroll CK200A

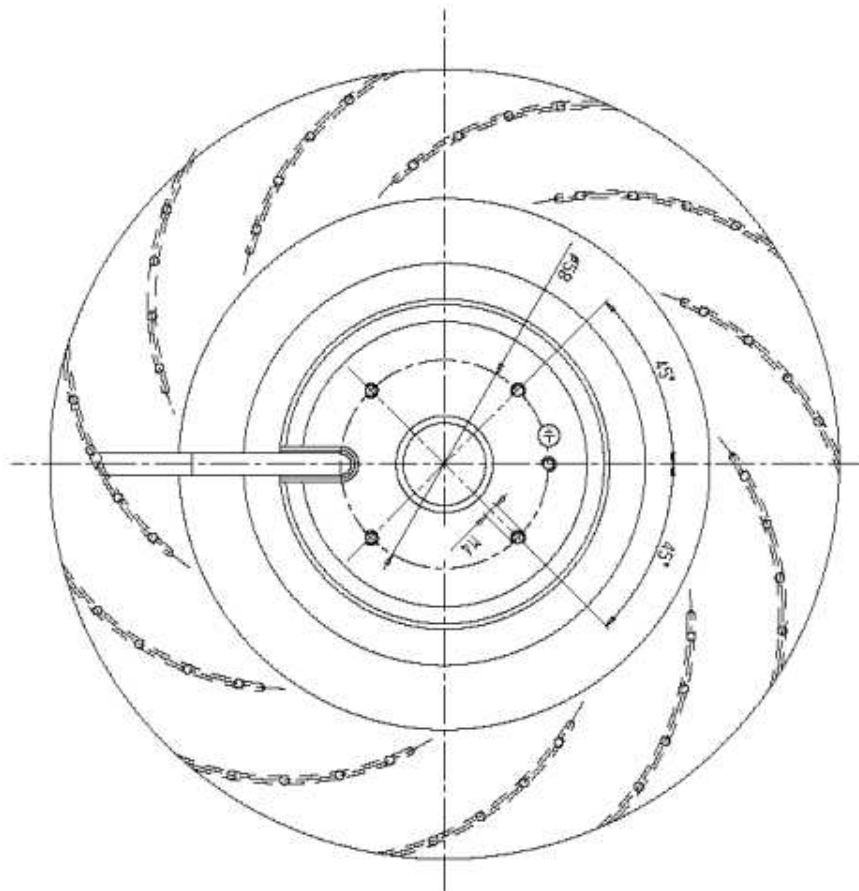
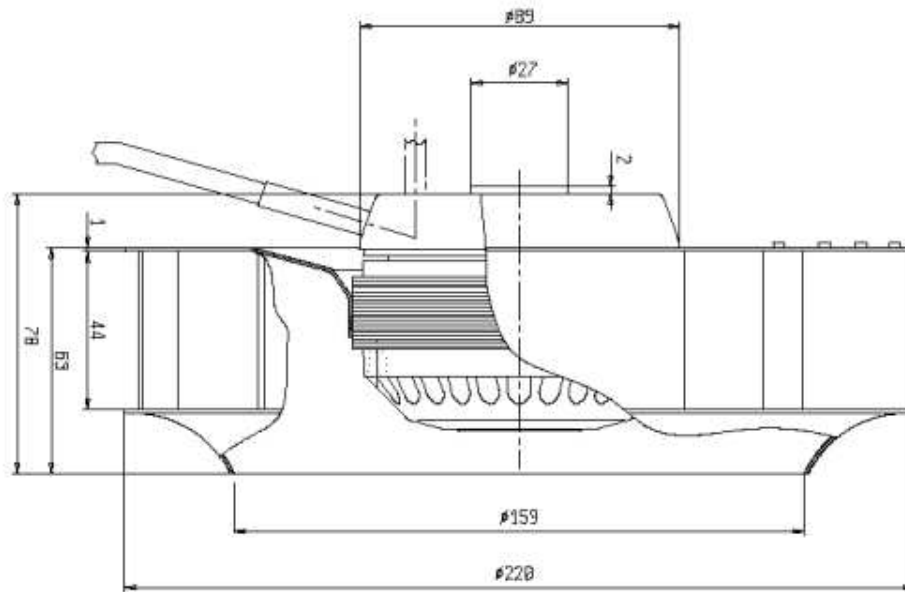


	Flow rate [m3/H]	Pressure [Pa]	Rpm	WI [w]	il [A]	
V	240	100	335	2740	75	0,33
Hz	50	250	260	2660	83	0,355
		500	110	2640	85	0,36
		700	0	2720	78	0,33

V	Hz	$\mu$ F	Tested equipment	$\Delta$ Tm	$\Delta$ Ta	Rpm
254	50	3	Scroll f.a.	58	68	
254	50	3	Scroll p.c.	54	60	

### Locked Rotor test

V	Hz	$\mu$ F	W	A
240	50	3		



code 30.97274.01

Project code P8729

Stack M20

Poles 2

Voltage [V] 220 - 240

Frequency [Hz] 50 - 60

$\mu$  F 3

Vc 400

W 100

A 0.45

Rpm 2300

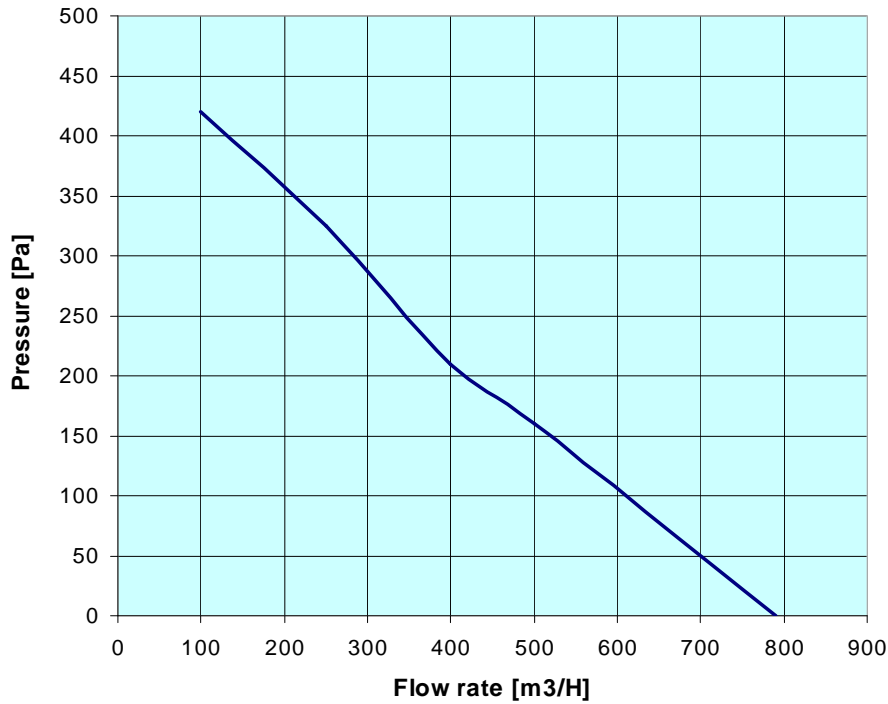
class B

## Fanmotor

Fan 220 x 44

Speed 1

Scroll CK200A



	Flow rate [m3/H]	Pressure [Pa]	Rpm	WI [w]	il [A]
V 240	100	420	3045	108	0,48
Hz 60	250	325	2910	116	0,5
	500	160	2840	118	0,51
	790	0	3040	110	0,485

V	Hz	$\mu$ F	Tested equipment	$\Delta$ Tm	$\Delta$ Ta	Rpm
254	60	3	Scroll f.a.	60	73	
254	60	3	Scroll p.c.	60	69	

### Locked Rotor test

V	Hz	$\mu$ F	W	A
240	60	3		

