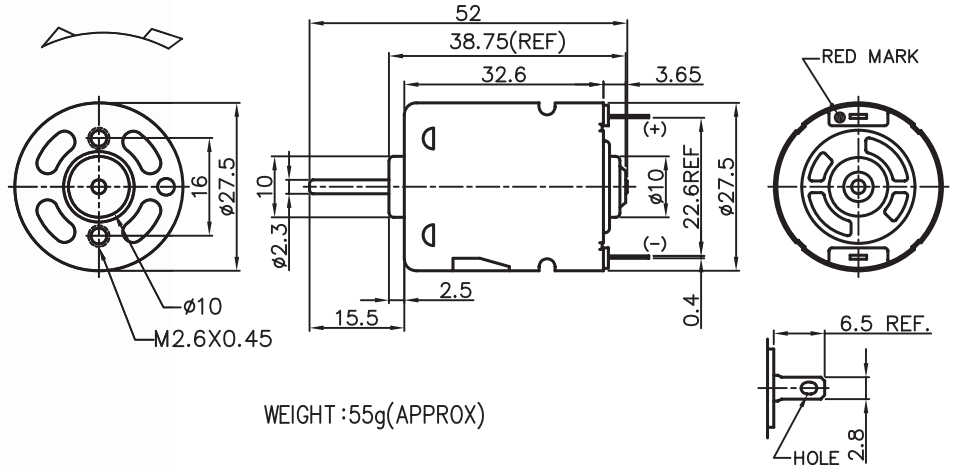


POINT : Copy Machine 、 Vending Machine 、 Massager

DIRECTION OF ROTATION



WEIGHT : 55g(APPROX)

MODEL	VOLTAGE		NO LOAD		AT MAXIMUM EFFICIENCY						STALL		
	OPERATING RANGE	NOMNAL	SPEED	CURRENT	SPEED	CURRENT	TORQUE		OUTPUT	EFF	CURRENT	TORQUE	
			rpm	A	rpm	A	g-cm	mN-m	W	%	A	g-cm	mN-m
MD3FN-3270	3.0 - 7.2	7.2V CONSTANT	14800	0.55	12200	2.10	75	7.35	9.32	61	10.40	440	43.14
MS3FN-18180	6.0 - 12.0	6.0V CONSTANT	4750	0.13	3700	0.42	36	3.53	1.38	59	1.60	173	16.96
MS3FN-19145	6.0 - 12.0	6.0V CONSTANT	5900	0.17	4300	0.59	40	3.92	1.81	53	2.01	172	16.86
MP3FN-2885	6.0 - 12.0	9.6V CONSTANT	15700	0.45	12900	2.40	106	10.39	14.22	62	11.05	600	58.82

