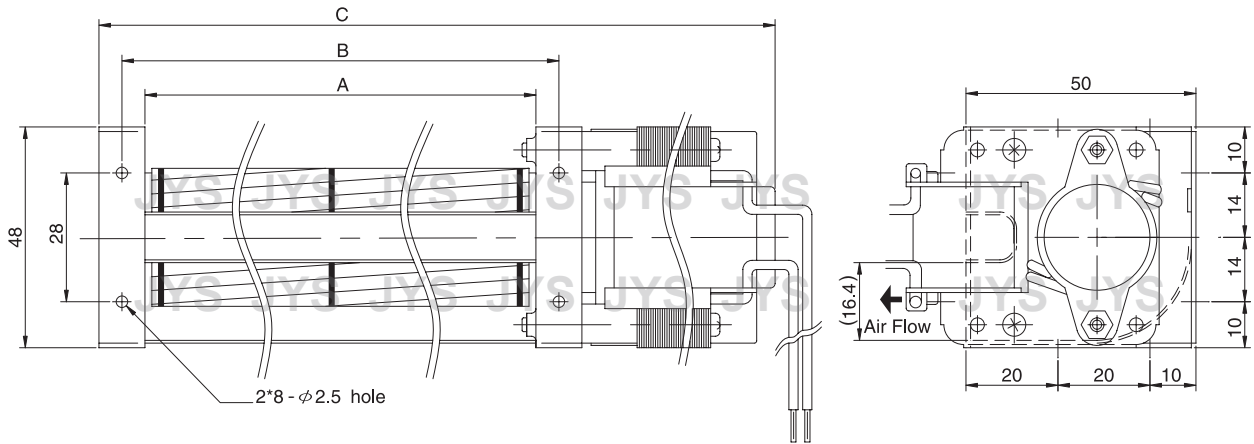




JE-030A SERIES AC FAN



Motor : AC Shaded Pole type 1 ϕ 2p

Spec. Model	Size (mm)			Rated Voltage (V)	Rated Frequency (Hz)	Rated Current (A)	Input Power (W)	Speed (r.p.m.)	Max Pressure (mmAq)	Maximum Air Flow (m ³ /min)	CFM	Noise (dBA)	Safety Approval			Weight (g)
	A	B	C										UL	TUV	CE	
JE-03009A12	98	108	154	120	50/60	0.11/0.09	8/7	2500/2900	0.8/1.1	0.4/0.5	14/17	27/30			○	390
JE-03009A23				230	50/60	0.07/0.05	8/7	2500/2900	0.8/1.1	0.4/0.5	14/17	27/29		○	○	
JE-03015A12	160	170	222	120	50/60	0.14/0.12	9/8	2700/3100	0.9/1.2	0.7/0.8	24/28	31/34	○		○	530
JE-03015A23				230	50/60	0.09/0.07	10/9	2700/3100	0.9/1.2	0.7/0.8	24/28	31/34	○	○	○	
JE-03019A12	198	208	260	120	50/60	0.14/0.12	9/8	2700/3100	1.0/1.3	0.9/1.0	32/35	31/34	○		○	550
JE-03019A23				230	50/60	0.09/0.07	11/9	2700/3100	1.0/1.3	0.9/1.0	32/35	31/34	○	○	○	
JE-03029A12	300	310	366	120	50/60	0.20/0.17	15/13	2700/3100	1.4/1.7	1.5/1.7	53/60	34/37	○		○	670
JE-03029A23				230	50/60	0.09/0.07	12/11	2700/3100	1.4/1.7	1.5/1.7	53/60	33/36	○	○	○	

