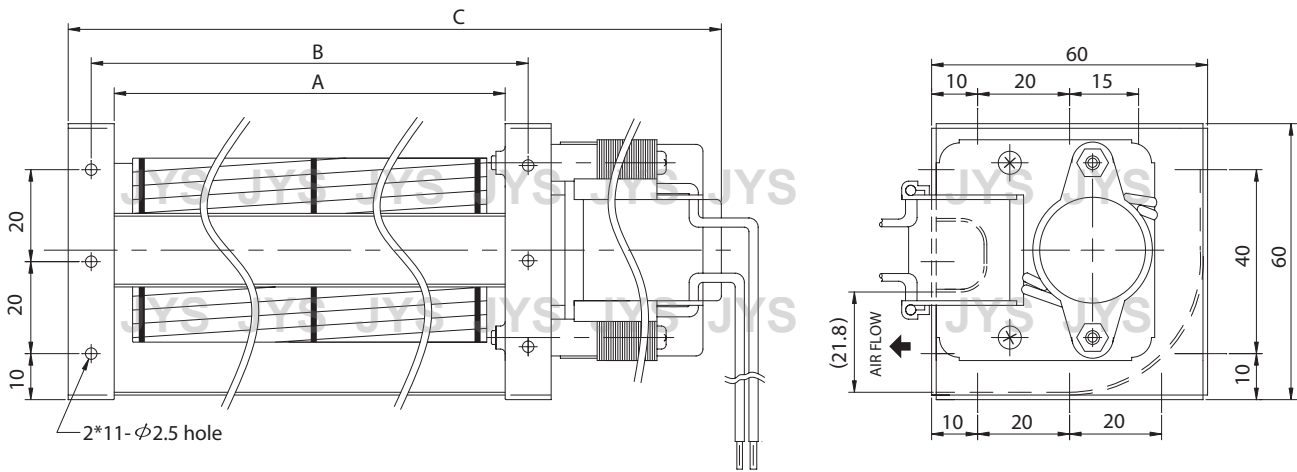


# JE-040A SERIES AC FAN



Motor : AC Shaded Pole type 1φ 2p

Spec. Model	Size (mm)			Rated Voltage (V)	Rated Frequency (Hz)	Rated Current (A)	Input Power (W)	Speed (r.p.m.)	Max Pressure (mmAq)	Maximum Air Flow (m <sup>3</sup> /min)	CFM	Noise (dBA)	Safety Approval			Weight (g)
	A	B	C										UL	TUV	CE	
JE-04009A12	98	108	160	120	50/60	0.14/0.12	10/9	2700/3000	1.7/2.3	0.6/0.7	21/24	32/35	○	○	○	520
JE-04009A23				230	50/60	0.09/0.07	11/9	2700/3000	1.7/2.3	0.6/0.7	21/24	33/36	○	○	○	
JE-04015A12	160	170	222	120	50/60	0.15/0.13	11/10	2600/2800	1.9/2.4	1.0/1.1	35/39	34/36	○	○	○	560
JE-04015A23				230	50/60	0.09/0.07	11/9	2600/2800	1.9/2.4	1.0/1.1	35/39	34/37	○	○	○	
JE-04019A12	198	208	260	120	50/60	0.15/0.13	10/9	2500/2400	2.0/2.6	1.4/1.3	49/46	34/35	○	○	○	600
JE-04019A23				230	50/60	0.09/0.07	12/11	2500/2400	2.0/2.6	1.4/1.3	49/46	34/36	○	○	○	
JE-04029A12	300	310	366	120	50/60	0.23/0.21	17/16	2400/2300	2.1/2.6	2.1/2.0	74/70	38/38	○	○	○	730
JE-04029A23				230	50/60	0.10/0.09	13/13	2400/2300	2.1/2.6	2.1/2.0	74/70	35/34	○	○	○	

