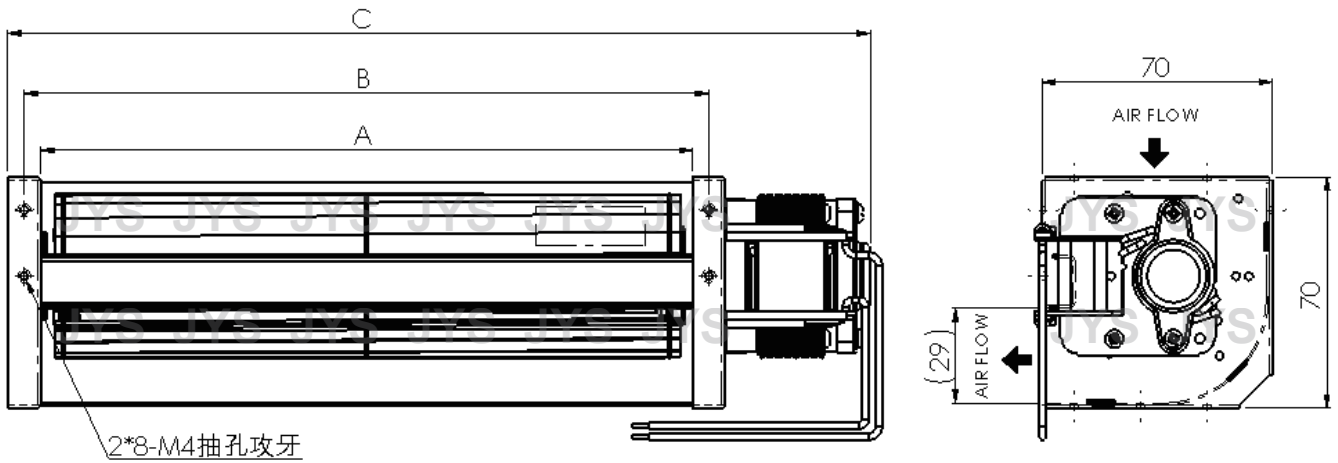




JE-050A SERIES AC FAN



Motor : AC Shaded Pole type 1 ϕ 2p

Model	Spec	Size(mm)			Rated Voltage (V)	Rated Frequency (Hz)	Rated Current (A)	Input Power (W)	Speed (r.p.m)	Max Pressure (mmAq)	Maximum Air Flow (m ³ /min)	CFM	Noise (dBA)	Safety Approval			Weight (g)
		A	B	C										UL	TUV	CE	
JE-05009A12	98	108	162	120	50/60	0.15/0.13	11/10	2300/2400	2.7/3.6	0.7/0.8	24/28	36/37	O		O	610	
JE-05009A23				230	50/60	0.09/0.07	11/10	2300/2400	2.7/3.6	0.7/0.8	24/28	36/37	O	O	O		
JE-05019A12	198	208	267	120	50/60	0.23/0.21	18/16	2000/1600	3.1/3.7	1.9/1.7	67/60	36/33	O		O	770	
JE-05019A23				230	50/60	0.10/0.09	14/13	1900/1400	3.1/3.6	1.8/1.6	63/56	35/32	O	O	O		
JE-05029A12	298	308	377	120	50/60	0.35/0.33	24/24	2200/1800	3.7/4.3	3.3/2.5	116/88	41/37	O		O	1100	
JE-05029A23				230	50/60	0.15/0.14	21/20	2100/1500	3.7/4.1	3.3/2.3	116/81	41/35	O	O	O		
JE-05035A12	358	368	437	120	50/60	0.35/0.33	23/23	2100/1500	3.7/4.3	3.1/2.9	110/103	41/36			O	1200	
JE-05035A23				230	50/60	0.15/0.14	20/19	1900/1300	3.5/4.0	3.0/2.6	110/92	40/34			O		

JE-05009A

JE-05019A

JE-05029A

JE-05035A

