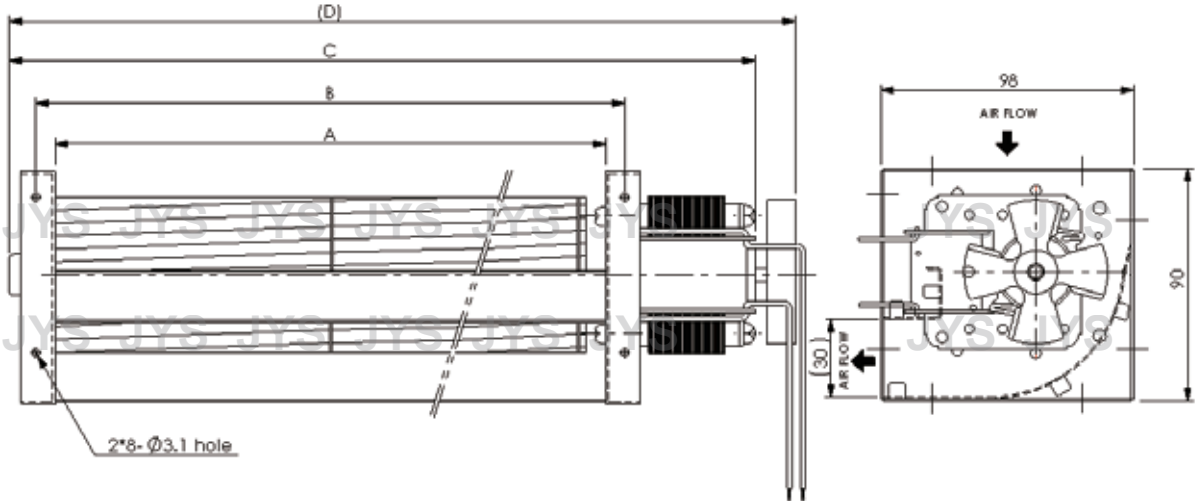
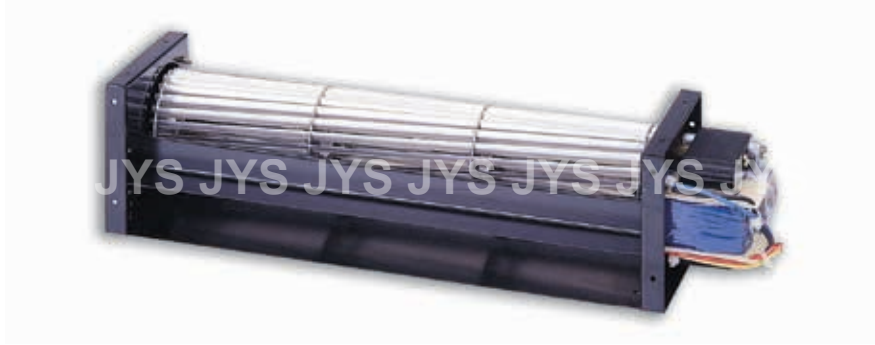




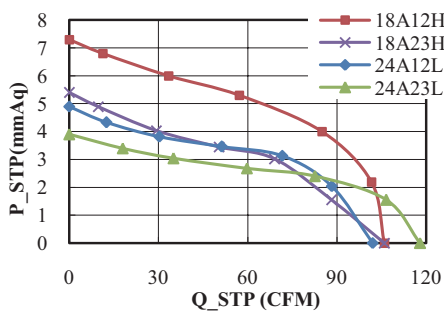
JE-060A SERIES AC FAN



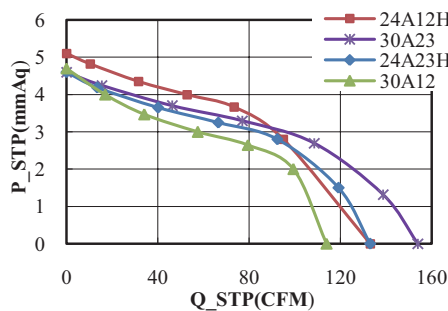
Motor : AC Shaded Pole type 1 ϕ 2p

Spec. Model	Size (mm)				Rated Voltage (V)	Rated Frequency (Hz)	Rated Current (A)	Input Power (W)	Speed (r.p.m.)	Max Pressure (mmAq)	Maximum Air Flow (m ³ /min)	CFM	Noise (dBA)	Safety Approval		Weight (g)
	A	B	C	D										UL	CE	
JE-06018A12L	184	199	257		120	60	0.33	23	1700	3.8	1.8	63	35		○	1200
JE-06018A23L					230	50	0.17	23	2100	3.7	2.5	88	39		○	
JE-06018A12H	184	199	262	280	120	60	0.55	37	2400	7.3	3.0	106	47	○	○	1350
JE-06018A23H					230	50	0.27	34	2400	5.4	3.0	106	47	○	○	
JE-06024A12L	245	260	323		120	60	0.42	31	1600	4.9	2.9	102	41		○	1400
JE-06024A23L					230	50	0.23	31	1900	3.9	3.3	118	42		○	
JE-06024A12H	245	260	323	341	120	60	0.60	42	2200	5.1	3.8	133	42	○	○	1500
JE-06024A23H					230	50	0.27	35	2200	4.6	3.8	133	44	○	○	
JE-06030A12	306	321	384	402	120	60	0.63	42	1700	4.7	3.2	114	42	○	○	1500
JE-06030A23					230	50	0.28	36	2100	4.6	4.4	154	44	○	○	
JE-06036A12	368	383	446	464	120	60	0.64	43	1500	3.0	3.8	133	41	○	○	1600
JE-06036A23					230	50	0.30	38	1900	4.2	4.7	167	43	○	○	
JE-06042A12	429	444	507	525	120	60	0.64	44	1400	2.2	3.9	139	41	○	○	1650
JE-06042A23					230	50	0.31	40	1700	3.3	5.1	180	43	○	○	

JE-06018A/24A



JE-06024A/30A



JE-06036A/42A

