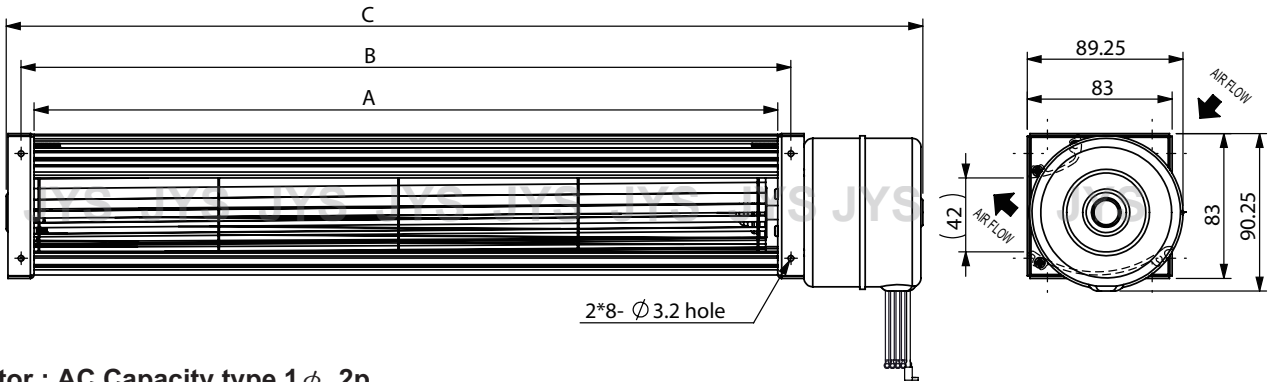


JHC-060A SERIES AC FAN



Motor : AC Capacity type 1 ϕ 2p

Spec. Model	Size(mm)			Rated Voltage (V)	Rated Frequency (Hz)	Rated Current (A)	Input Power (W)	Speed (r.p.m.)	Max Pressure (mmAq)	Maximum Air Flow (m3/min)	Noise (dBA)	Weight (kg)
	A	B	C									
JHC-06030A1223-3B	306	321	405	120	60	0.31	34	3100	2.5	4.0	52	1.80
				220	50/60	0.17/0.18	29/34	2650/3000	1.8/2.4	3.4/3.8	48/51	
				230	50	0.17	32	2650	1.8	3.4	48	
JHC-06036A1223-3B	366	381	465	120	60	0.33	36	3000	2.5	4.8	51	1.85
				220	50/60	0.17/0.19	31/37	2550/2850	1.9/2.2	4.2/4.6	47/50	
				230	50	0.18	33	2600	1.9	4.2	48	
JHC-06042A1223-3B	426	441	525	120	60	0.35	39	2850	2.3	5.5	51	1.90
				220	50/60	0.18/0.20	33/39	2500/2700	1.9/2.2	4.9/5.2	47/49	
				230	50	0.18	35	2500	1.9	4.9	47	
JHC-06052A1223-3B	526	541	625	120	60	0.37	42	2700	2.0	6.7	50	2.05
				220	50/60	0.19/0.21	35/42	2400/2550	1.8/1.8	5.9/6.2	46/47	
				230	50	0.19	37	2450	1.8	6.0	47	
JHC-06060A1223-3B	606	621	705	120	60	0.38	43	2600	1.9	7.3	49	2.15
				220	50/60	0.19/0.22	36/42	2300/2400	1.8/1.9	6.5/6.7	46/47	
				230	50	0.19	38	2350	1.9	6.6	47	
JHC-06070A1223-3B	706	721	805	120	60	0.39	44	2400	1.7	7.6	47	2.25
				220	50/60	0.20/0.22	38/43	2150/2200	1.6/1.7	6.8/7.0	44/44	
				230	50	0.20	40	2200	1.7	7.0	45	

